



LEGEND™

Heavy-Duty Gas Infrared, Overfired Broilers Free-Standing, Modular

Item No. _____

Project _____

Quantity _____

C36 or C45 Model



Model C45

MODEL GUIDE				
✓	Model No.	Overall Width	Grates	Cooking Area
	C36	36" (914mm)	2	27" x 27" (686 x 686mm)
	C45	45" (1143mm)	3	35" x 27" (889 x 686mm)

STANDARD CONSTRUCTION FEATURES:

- Satin finish stainless steel front & top
- Other surfaces painted black with electrolytic zinc undercoating
- 2" (51mm) high rear flue riser
- Full width grease deflector under rollout grid
- Extra-large capacity removable grease drawer
- 3/4" NPT rear gas manifold connection
- Stainless steel stand with 4" (102mm) base and 21" (533mm) tubular legs
- Height-adjustable bullet feet

AGENCY APPROVALS

- NSF Listed
- CSA Design Certified to ANSI Z83.11 • CSA 1.8
- Australian Gas Association Certificate Number 7466
- CE Approved EN 203-1

SHORT/BID SPECIFICATION

Broiler shall be a Montague Legend Heavy-Duty Free-Standing, Overfired Model: [Specify Model]

- C36 36" wide (914mm)
- C45 45" wide (1143mm)

...a gas-fired, infrared heated unit with 42,000 BTU/hr cast iron burners with individual controls, heating ceramic radiants mounted above; a counter-balanced, height-adjustable, chrome-plated steel cooking grid that is drawer-mounted for easy pull-out access, with a full width grease deflector and large capacity front-mounted grease container; enclosed in an insulated cabinet with stainless steel front and mounted on 25" (635mm) high stainless steel modular stand; plus all the features listed and options/accessories checked:

BURNER/RADIANT SYSTEM FEATURES:

- 42,000 BTU/hr cast iron burners
- Ceramic radiants for uniform infrared heating
- Individual burner controls
- Standing pilot for automatic ignition

ROLL-OUT GRID FEATURES:

- Chrome-plated steel grid sections: two on C36 & three on C45
- Counter-balanced grid assembly for easy height adjustment
- Infinite grid height adjustment from 2" to 5" (51 to 127mm)
- Positive locking lift handle with cool ball-style grip
- Quiet, ball bearing mounted pull-out grid assembly
- Shielded horizontal grab-bar handle



HDB-11 [Rev. 1/12]

LEGEND™ Heavy-Duty Gas Infrared, Overfired Broilers Free-Standing, Modular

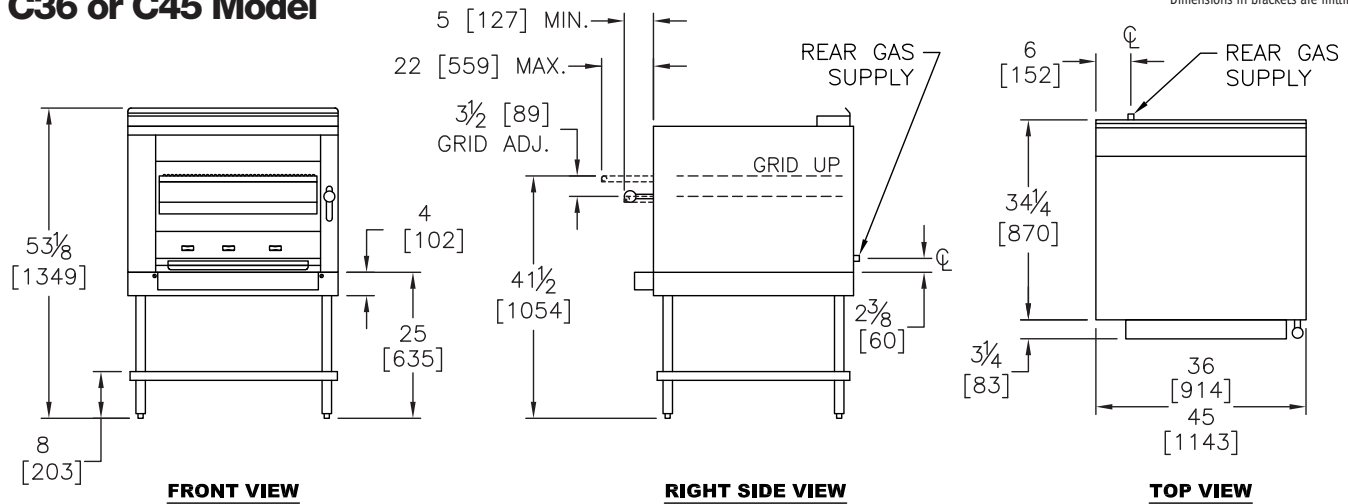
Item No. _____

Project _____

Quantity _____

C36 or C45 Model

Dimensions in brackets are millimeters



OPTIONS GUIDE:

Finish:

- Stainless steel full left side panel
- Stainless steel full right side panel
- Stainless steel back panel
- Stainless steel top

General:

- Casters — set of four/six 5" (127 mm) casters
- Flex Connector Kit**
[3/4"] or [1"] NPT:
 3' (914mm) long 4' (1219 mm) long

International Approvals:

- CE-Conformite Europeene
Includes Flame Failure Valve Option
- AGA-Australian Gas Association
Includes Flame Failure Valve Option
- Canadian Approval

INSTALLATION REQUIREMENTS & SHIPPING INFORMATION

1. Broilers must be installed in accordance with local codes or in their absence with the National Fuel Gas Code: ANSI Z223.1; Natural Fuel Gas Code: CAN/CGA-B149.1 or Propane Installation Code: CAN/CGA-B149.2, as applicable. Compliance with codes is the responsibility of the Owner and Installer.
2. An adequate ventilation system is required. Refer to National Fire Protection Association Standard No. 96, "Standard for Ventilation and Fire Protection of Commercial Cooking Operations."
3. This appliance is intended for commercial use by professionally trained personnel. NOT intended for Residential Use.
4. Specify installation elevation: _____ if above 2000 feet (610m).
5. GAS INLET SIZE (All Models): 3/4" NPT left-rear inlet. A 3/4" NPT gas pressure regulator is provided and must be installed (by others) when unit is connected to gas supply.
6. The incoming gas line pressure into the regulator should be 8"-14" w.c. for natural gas, and 12"-14" w.c. for propane gas.

Minimum Clearances	Combustible Construction	Noncombustible Construction
From Back Wall	6" (152 mm)	0"
Left & Right Side	6" (152 mm)	0"
With 21" (533mm) legs, suitable for use on combustible floor.		

Specify Type of Gas:		<input type="checkbox"/> Natural	<input type="checkbox"/> Propane	Shipping Weight	Shipping Class	Cube (Crated) ft ³ /m ³
Manifold Pressure:		6.0" WC	10.0" WC			
Models:	Burners	BTU/hr* (kW)	BTU/hr* (kW)			
C36	2	84,000 (24.6)	84,000 (24.6)	483 lbs (219 kg)	85	35/1
C45	3	126,000 (36.9)	126,000 (36.9)	638 lbs (289 kg)	85	47/1.3
Uncrated entry clearance: 33-1/2" (851mm)						

*Total, all burners



THE MONTAGUE COMPANY

1830 Stearman Avenue, Hayward, CA 94545

800 345-1830 • Fax: 510 785-3342

www.montaguecompany.com

Due to continuous product improvements, specifications are subject to change without notice.



HDB-11 [Rev. 1/12]