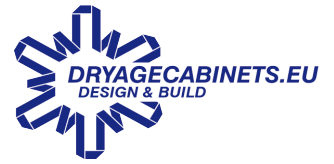


VAN WEEL KOELTECHNIEK B.V.

Address: Hoofdweg 92
2908 LC - Capelle a/d IJssel
Business: 010 450 30 84
Mobile: 06 518 36 116
E-Mail: aad@vanweelkoeltechniek.nl
Website: vanweelkoeltechniek.nl



Dry Age Cabinet DAC2DWM

RESUME

TECHNICAL SPECIFICATIONS

Plug & Play -
Fully Electronically Controlled DAC System -
210 Watt Power Consumption -
230 Volt | 50 Hz -
134A Refrigerant -

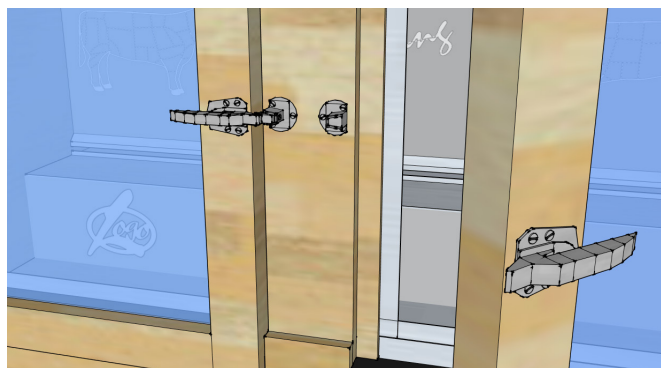
EXTRA OPTIONS

- **Free** Custom Logo in your Drip Tray
- Lightfilters

DIMENSIONS

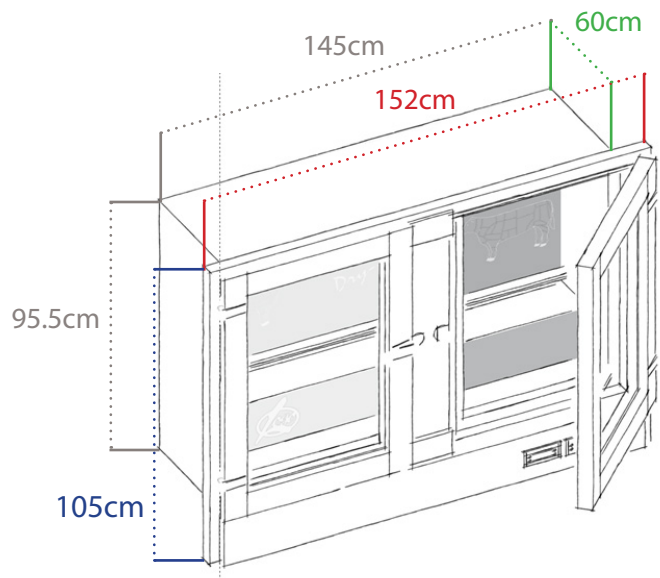
BODY

D 60cm x **B** 145cm x **H** 95.5cm
D 23.6inch x **B** 57inch x **H** 37.6inch



FRAME

D 5cm x **B** 152cm x **H** 105cm
D 2inch x **B** 60inch x **H** 41inch

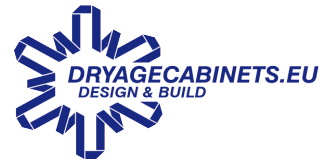


General Delivery and Payment Conditions following the N.V.K.L., filled in at the District Court of The Hague on May 10, 1994 under No. 74/1994.



VAN WEEL KOELTECHNIEK B.V.

Address: Hoofdweg 92
2908 LC - Capelle a/d IJssel
Business: 010 450 30 84
Mobile: 06 518 36 116
E-Mail: aad@vanweelkoeltechniek.nl
Website: vanweelkoeltechniek.nl



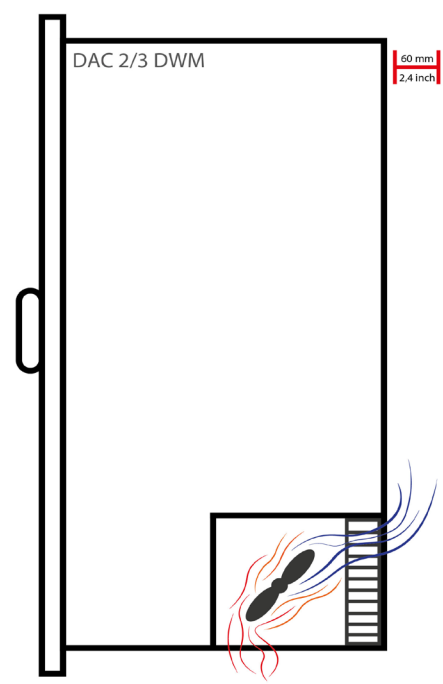
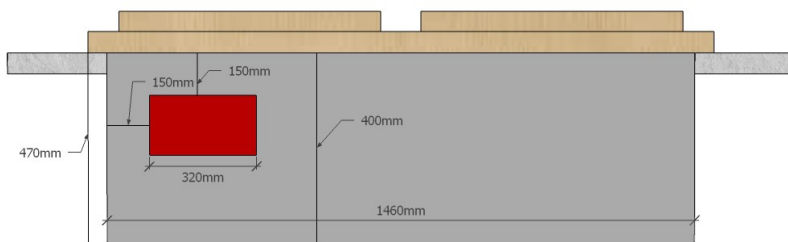
Dry Age Cabinet DAC2DWM

INSTALLATION

PLACEMENT

Take care of the recommended space of 60mm / 2,4" at the back or fitting outlet at the bottom.

TOP VIEW



Important

The hole in the bottom should agree to come forward with the air outlet.

Supplying clean air through the backside is required with the minimal distance of 60mm or 2,4 inch.



CONDENSERS

Not periodically cleaned condensers at the back of your DAC could result in irreparable damage.

